

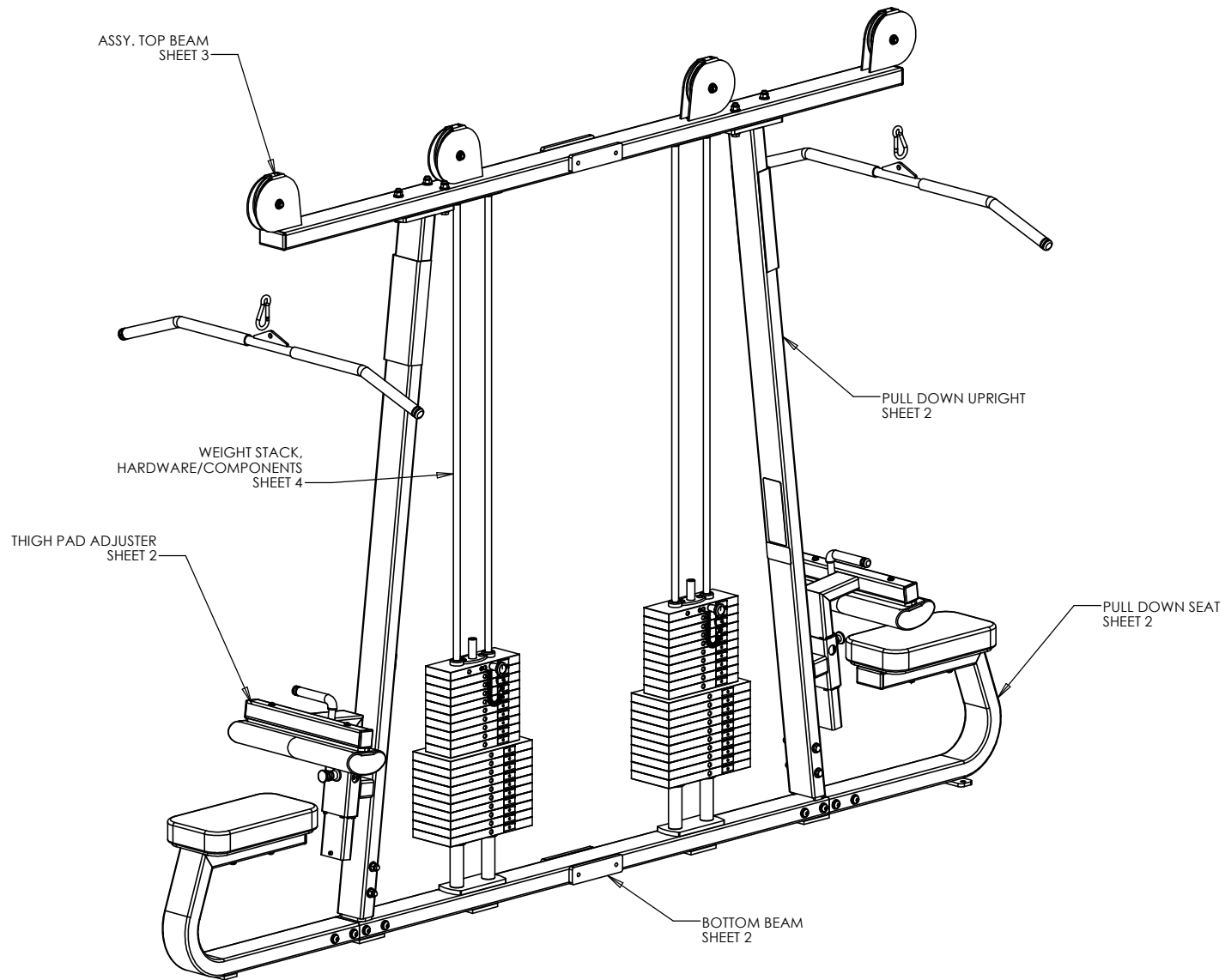
**CONFIDENTIAL**

THIS DOCUMENT AND INFORMATION CONTAINED HEREIN IS PROPRIETARY AND CONFIDENTIAL TO PRECOR STRENGTH INCORPORATED. RECIPIENTS OF THIS DOCUMENT AGREE THAT THIS DOCUMENT AND INFORMATION WILL NOT BE USED FOR ANY PURPOSE, REPRODUCED OR COPIED, OR DISCLOSED TO ANY THIRD PARTY, EITHER IN WHOLE OR IN PART WITHOUT PRIOR EXPRESS WRITTEN PERMISSION OF PRECOR STRENGTH, INCORPORATED.

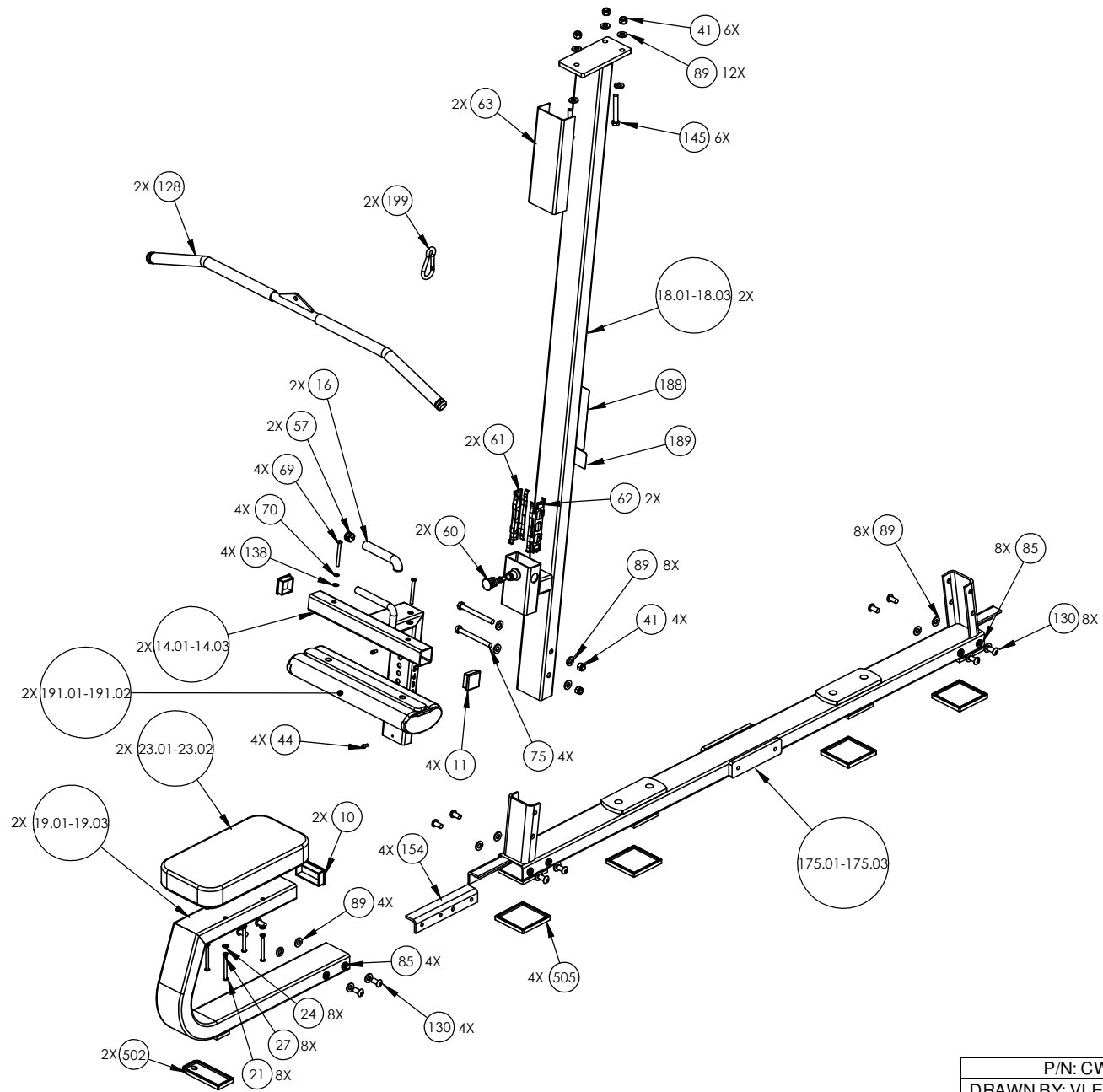
**PRECOR** USA  
PRECOR STRENGTH, INC.

28936 AVE WILLIAMS  
VALENCIA, CA 91355  
TELEPHONE: 661-362-0300

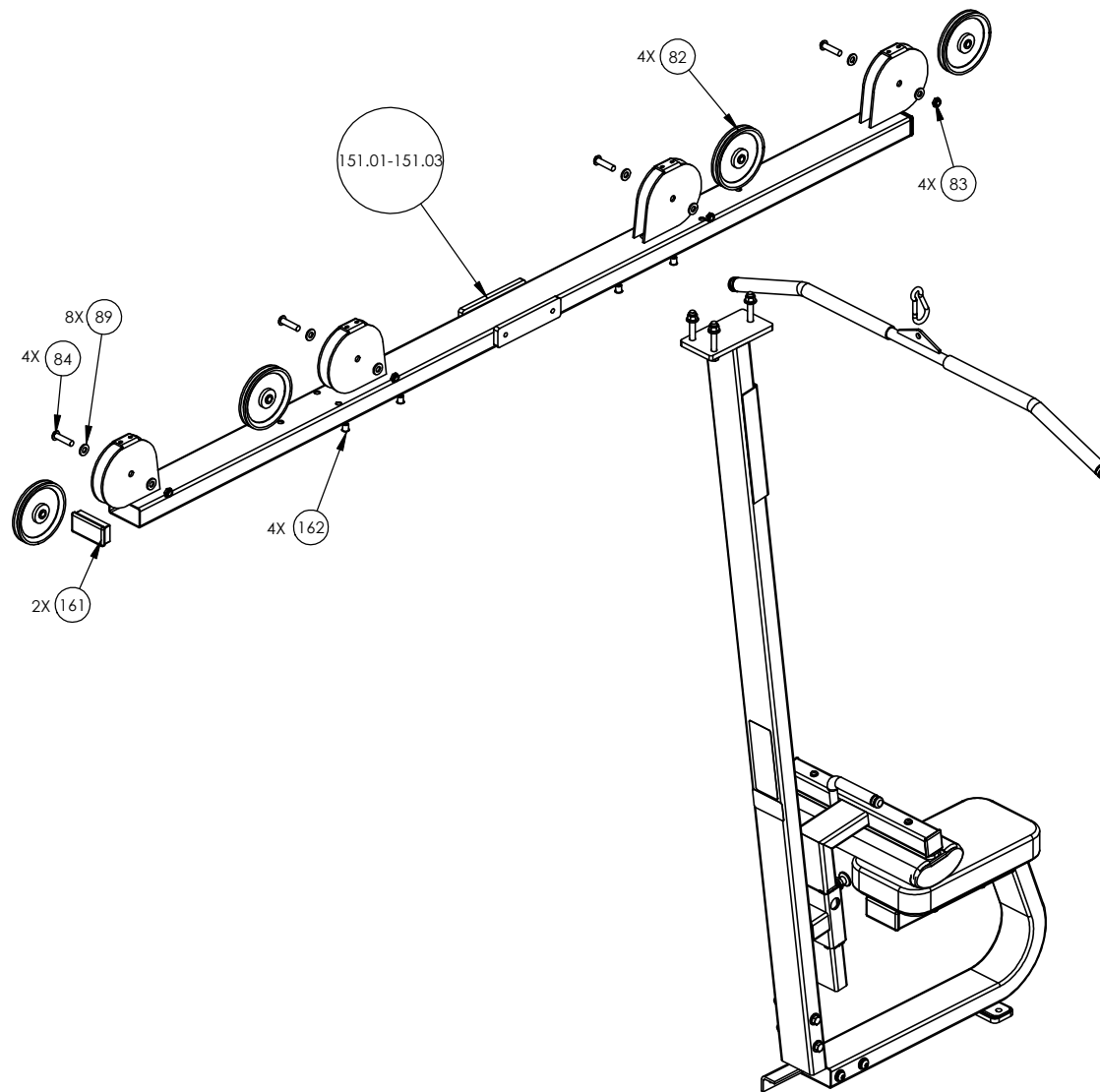
|                                |          |     |   |               |                              |             |
|--------------------------------|----------|-----|---|---------------|------------------------------|-------------|
| SIGN IN BLUE OR BLACK INK ONLY |          |     | UNLESS OTHERWISE SPECIFIED:<br>DIMENSIONS ARE IN INCHES   |               | PRODUCT:                     |             |
| DRWN BY                        | 08.15.06 | VLE | TOLERANCES ARE:   |               | STRENGTH                     |             |
| DWG CHK                        |          |     | LIN .X=±0.1   | .XXX=±0.010   | ASSEMBLY<br>CONNECTION, 10.5 |             |
| ENG                            | 06.19.06 | RSG | LIN .XX=±0.02   | .XXXX=±0.0001 |                              |             |
| MFG ENG                        |          |     | ANGULAR: ±1.0°  |               |                              |             |
| CS                             |          |     | ALL DIMS AFTER PLATING<br>BREAK ALL SHARP EDGES<br>REMOVE ALL BURRS                                 |               |                              |             |
| QA                             |          |     | ALL ANGLES & BENDS 90°<br>DWG PER ASME Y14.5M-1994<br>DO NOT SCALE DRAWING<br>ALL MACHINED SURFACES |               |                              |             |
| ID                             |          |     | SIZE  | PAGE          | OF                           | DWG. NO.    |
| REG                            |          |     | C   | 1             | 1                            | CW31874-402 |
|                                |          |     |   |               |                              | SUBREV      |
|                                |          |     |   |               |                              | A           |

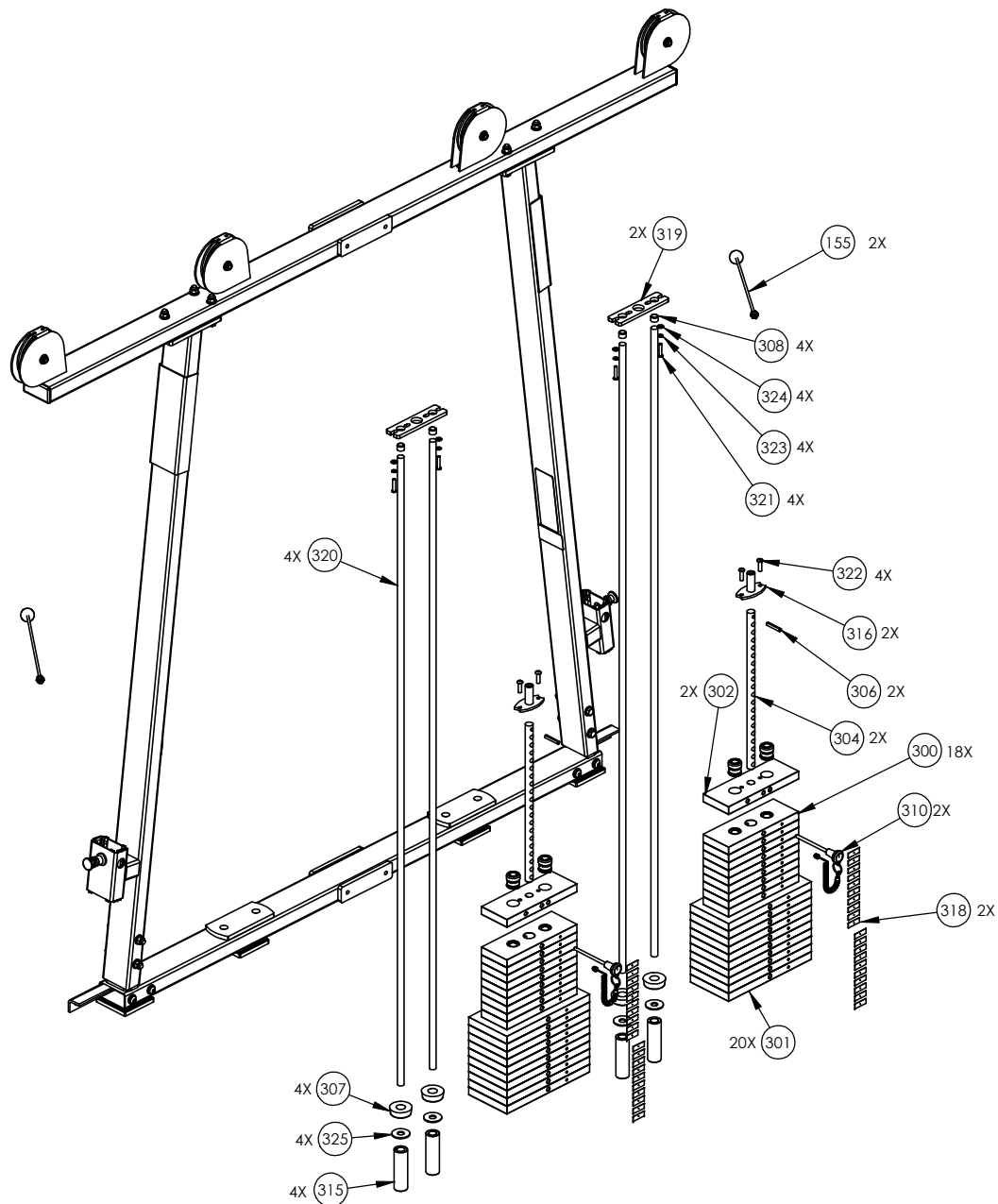


|                  |                |
|------------------|----------------|
| P/N: CW31926-402 | SUBREV: E      |
| DRAWN BY: VLE    | DATE: 08.18.09 |
| SHEET 1 OF 4     |                |

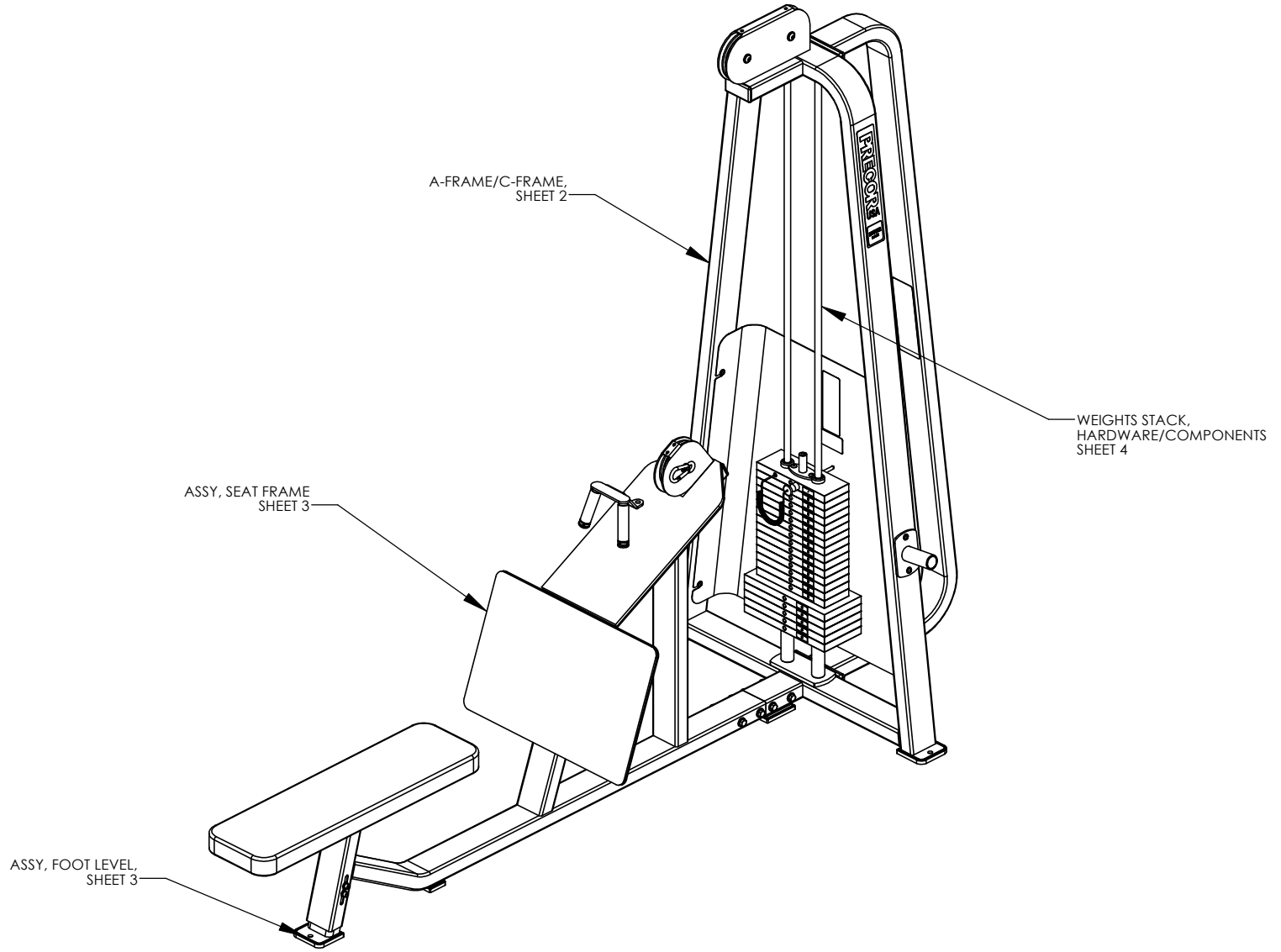


|                  |                |              |
|------------------|----------------|--------------|
| P/N: CW31926-402 |                | SUBREV: E    |
| DRAWN BY: VLE    | DATE: 08.18.09 | SHEET 2 OF 4 |

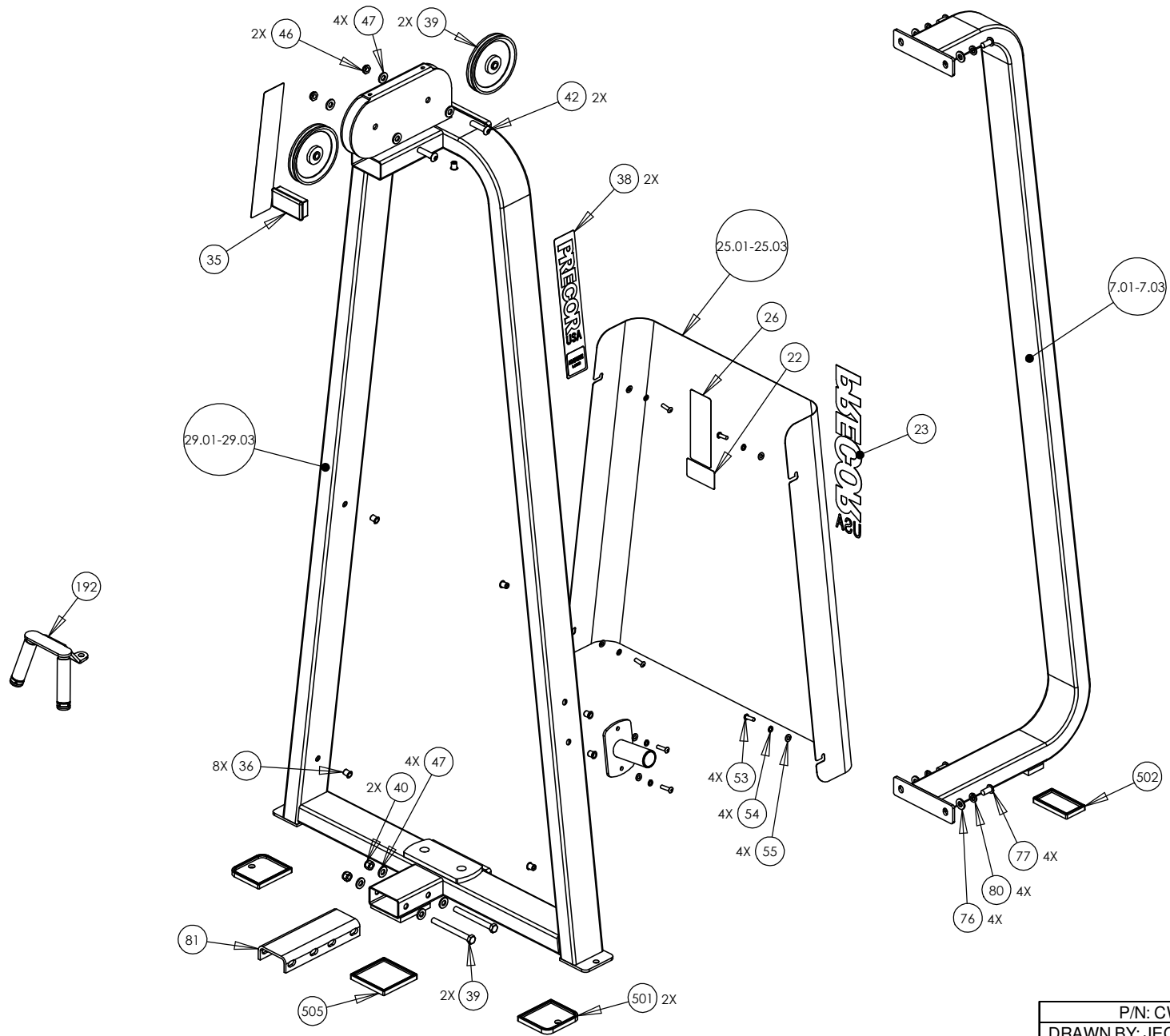




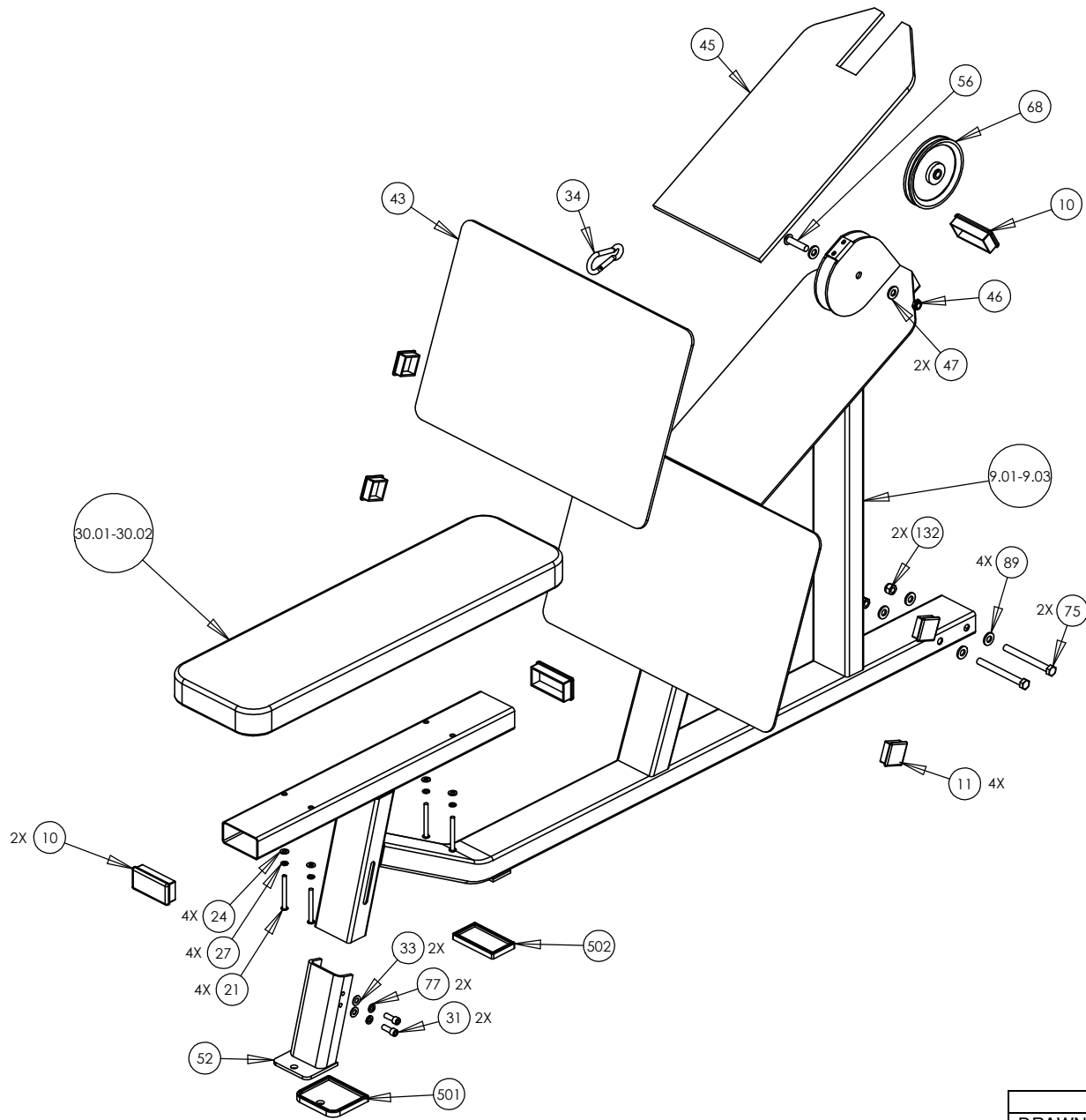
|                  |                |
|------------------|----------------|
| P/N: CW31926-402 | SUBREV: E      |
| DRAWN BY: VLE    | DATE: 08.18.09 |
| SHEET 4 OF 4     |                |



|                  |                |
|------------------|----------------|
| P/N: CW31931-402 | SUBREV: C      |
| DRAWN BY: JEC    | DATE: 09.11.08 |
|                  | SHEET 1 OF 4   |

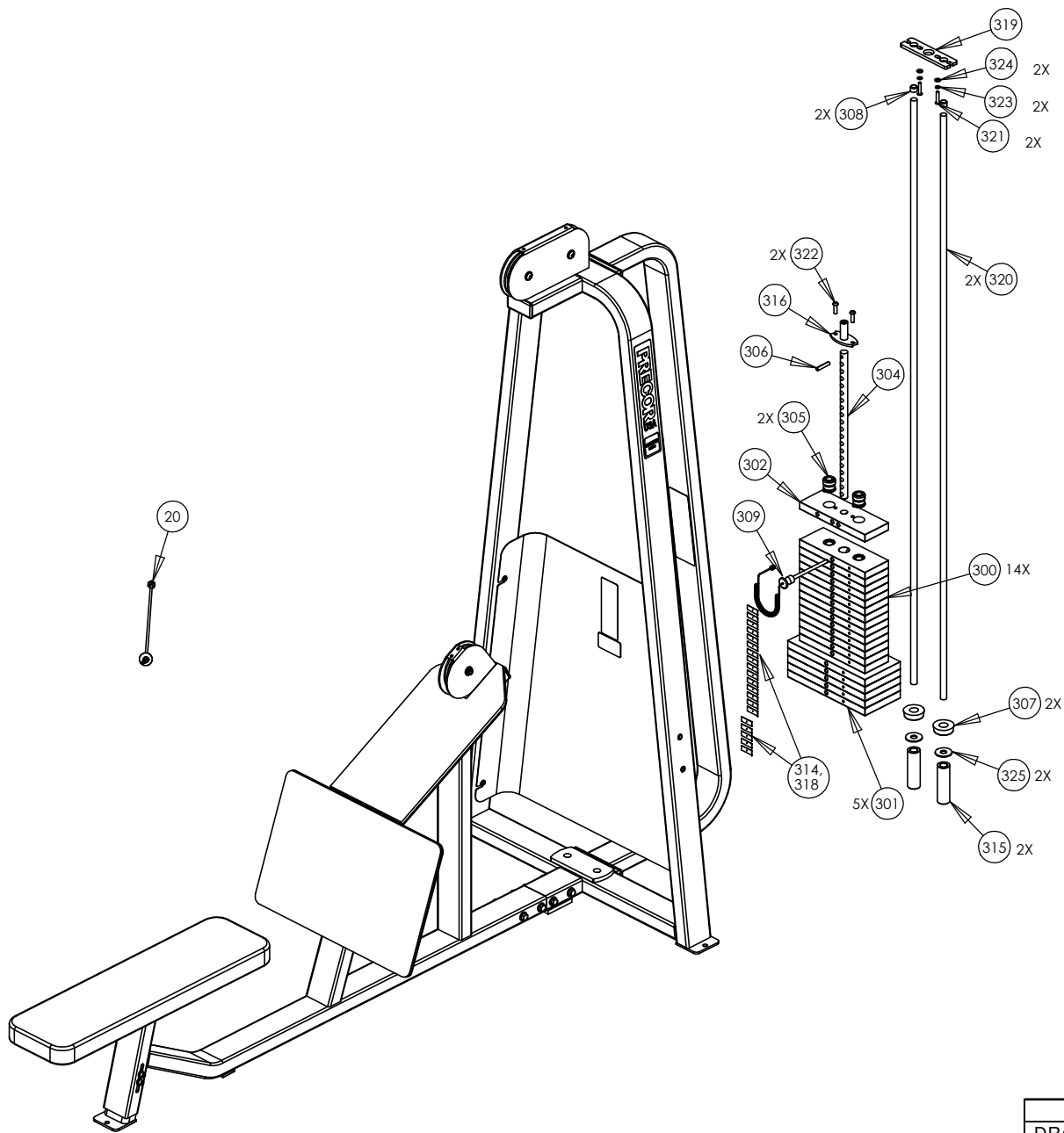


|                  |                |
|------------------|----------------|
| P/N: CW31931-402 | SUBREV: C      |
| DRAWN BY: JEC    | DATE: 09.11.08 |
| SHEET 2 OF 4     |                |

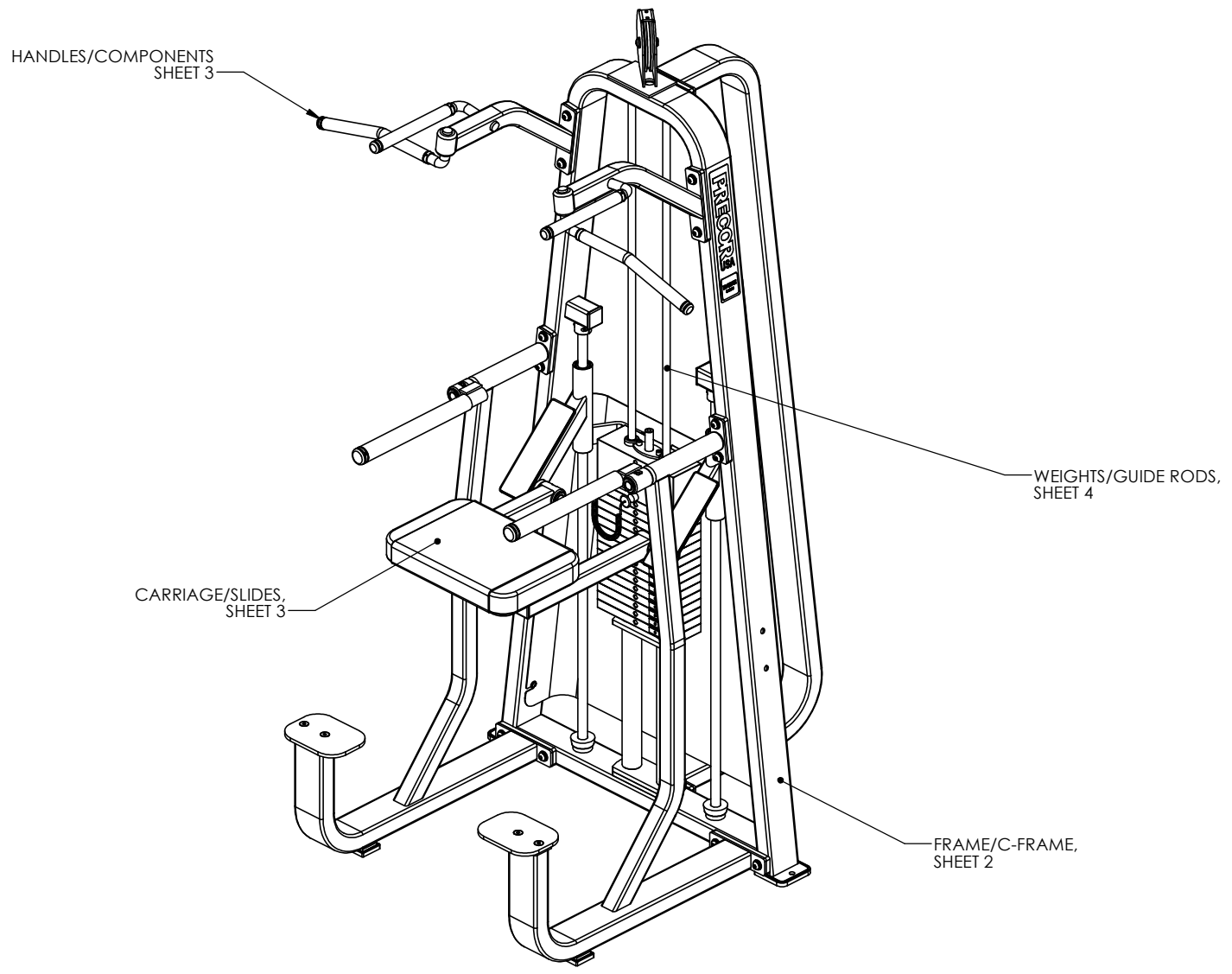


|                  |                |
|------------------|----------------|
| P/N: CW31931-402 | SUBREV: C      |
| DRAWN BY: JEC    | DATE: 09.11.08 |
| SHEET 3 OF 4     |                |

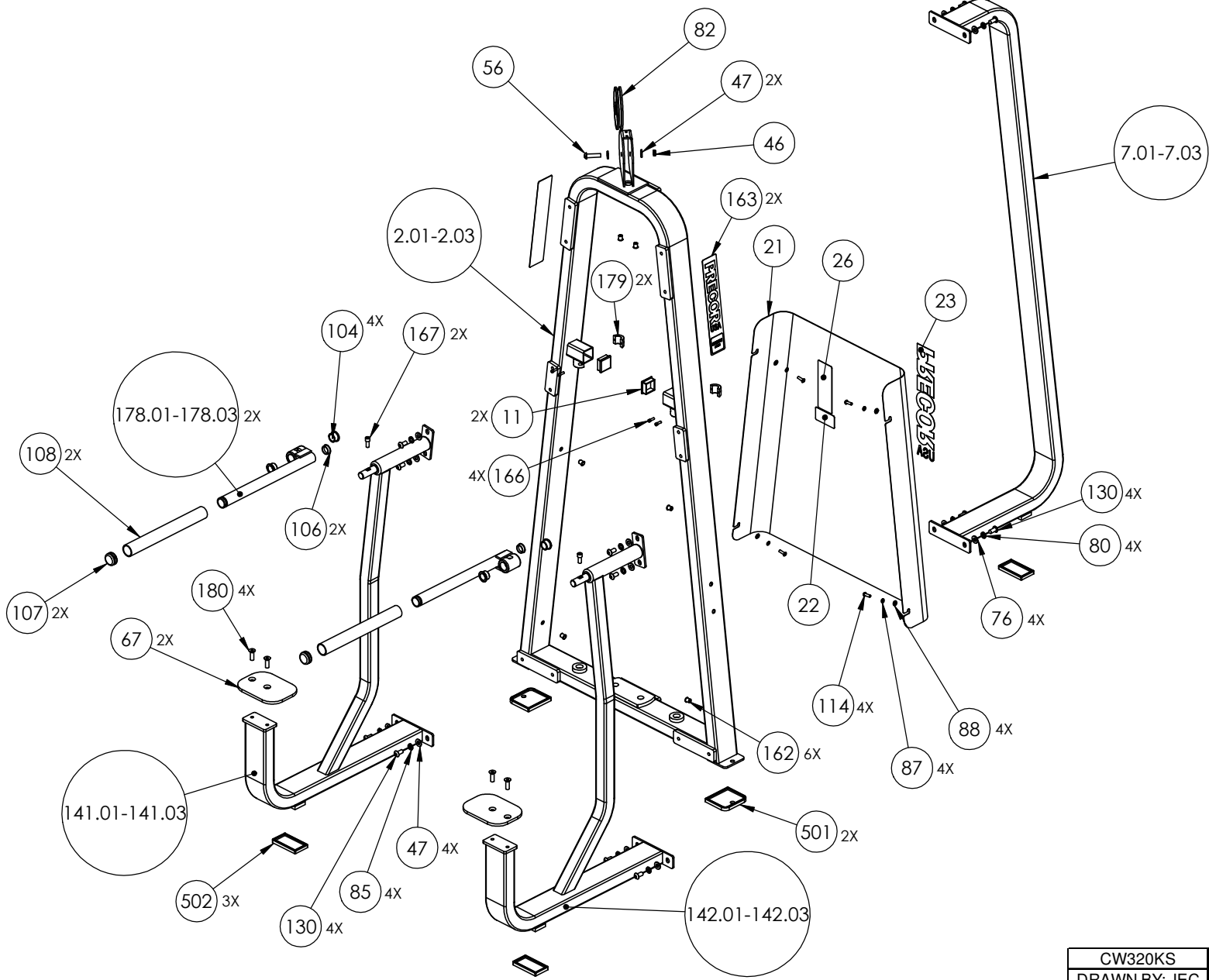




|                  |                |
|------------------|----------------|
| P/N: CW31931-402 | SUBREV: C      |
| DRAWN BY: JEC    | DATE: 09.11.08 |
| SHEET 4 OF 4     |                |

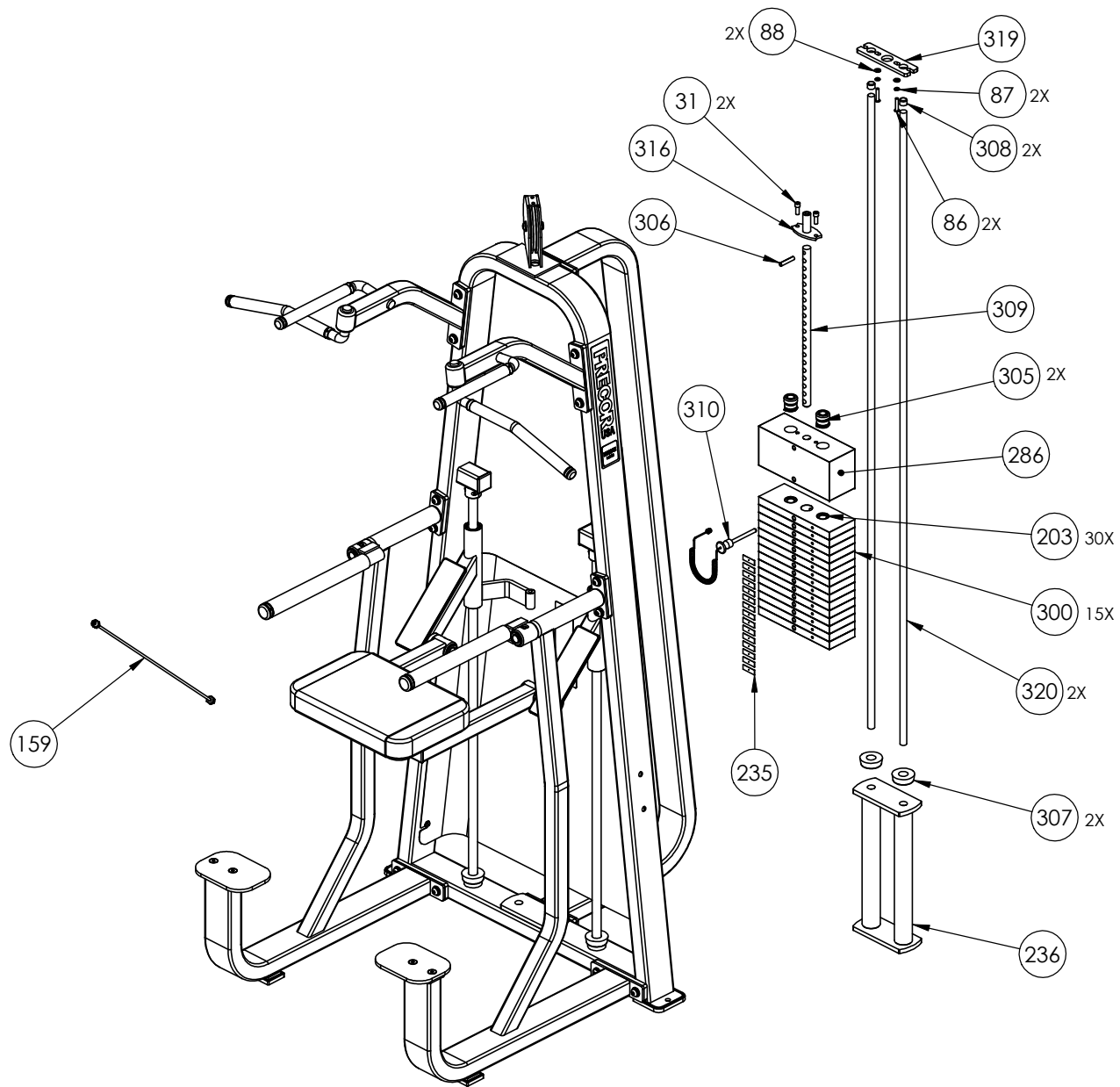


|               |                  |              |
|---------------|------------------|--------------|
| CW320KS       | P/N: CW33596-101 | SUBREV: C    |
| DRAWN BY: JEC | DATE: 09.11.08   | SHEET 1 OF 4 |



|               |                  |              |
|---------------|------------------|--------------|
| CW320KS       | P/N: CW33596-101 | SUBREV: C    |
| DRAWN BY: JEC | DATE: 09.11.08   | SHEET 2 OF 4 |





|               |                  |              |
|---------------|------------------|--------------|
| CW320KS       | P/N: CW33596-101 | SUBREV: C    |
| DRAWN BY: JEC | DATE: 09.11.08   | SHEET 4 OF 4 |